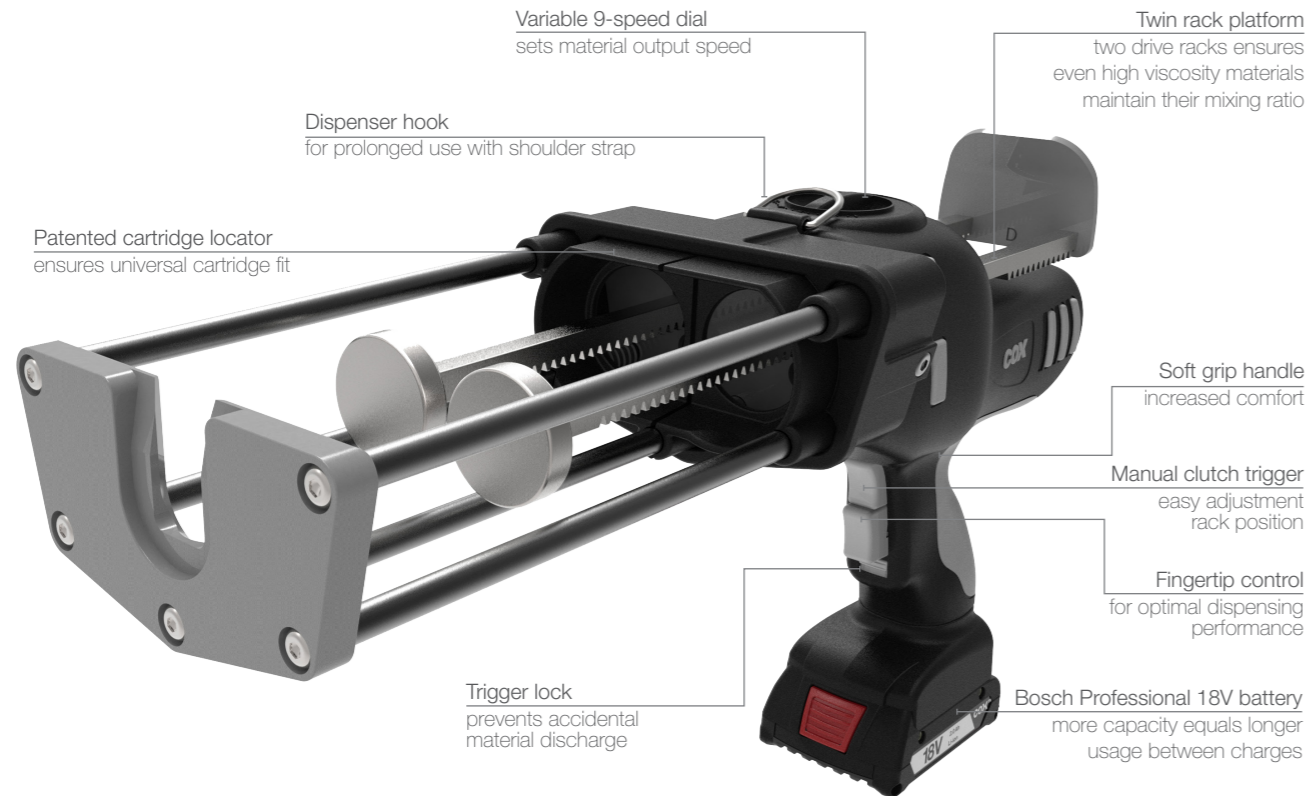




COX™ 2-Component Dispenser

ElectraFlow™ Dual Ultra 600 1:1

2-component battery powered dispenser for 600mL cartridges.



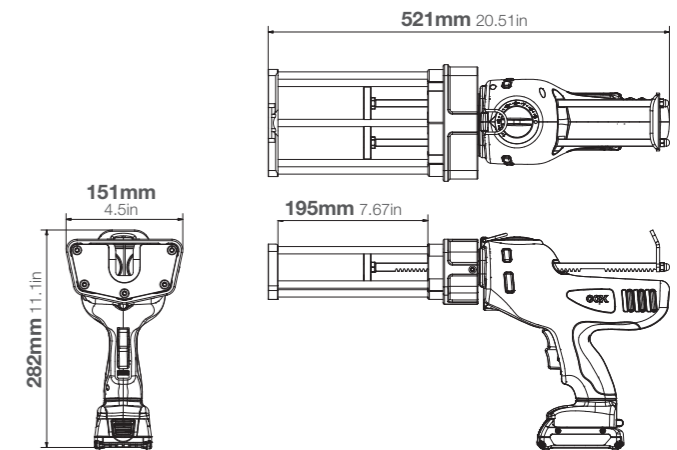
Model shown: ElectraFlow Dual Ultra 600 1:1

The **ElectraFlow Dual Ultra 600 1:1** is part of a range of battery dispensers, designed for use with medium to high viscosity sealants and adhesives.

Specifications

- Weight: 3.8kg / 8.4lb
- Frame Length: 195mm / 7.67in
- Maximum Thrust: 5kN
- Voltage: 18V
- Battery Capacity: 2.0Ah
- Battery Charge Time: 35min
- Battery Type: Li-ion
- Handle Material: PC/ABS
- Frame Material: Steel/Aluminum
- Tool Component Approvals: CE, REACH, RoHS
- Cartridge Capacity: 600mL (21oz)
- Cartridge Ratio: 1:1
- Viscosity: Medium/High
- Standard Color: Black/Grey
- Customized versions on demand

Dimensions



Part number:

VBE 400 MR
81400-D (US)

Article number:

EK2400
-

Packaging:

1 per Box
1 per Box

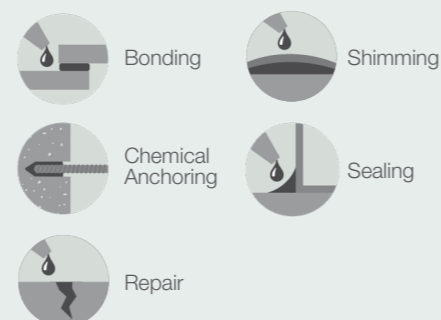
Product advantages

- Patented cartridge locator
- Rechargeable 18V lithium Bosch battery
- Twin rack platform
- Automatic rack retraction
- Manual clutch trigger
- Fingertip control
- 2 year warranty for dispenser, battery and charger *

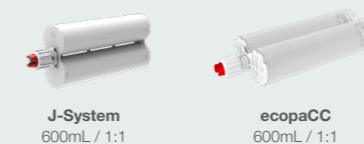
Customer benefits

- Ensures universal cartridge fit
- 100% longer life time
- Ensures mixing ratio are maintained
- Anti-drip mechanism – no run on
- Easy adjustment rack position
- For best dispensing performance
- Gives you long worry free performance

Applications



Matching MIXPAC™ side-by-side cartridges



The 2-component dispenser 600 1:1 is compatible with alternative cartridges. Please note, fit for purpose of the cartridges strictly requires customer's testing and approval thereof.

Product by range

