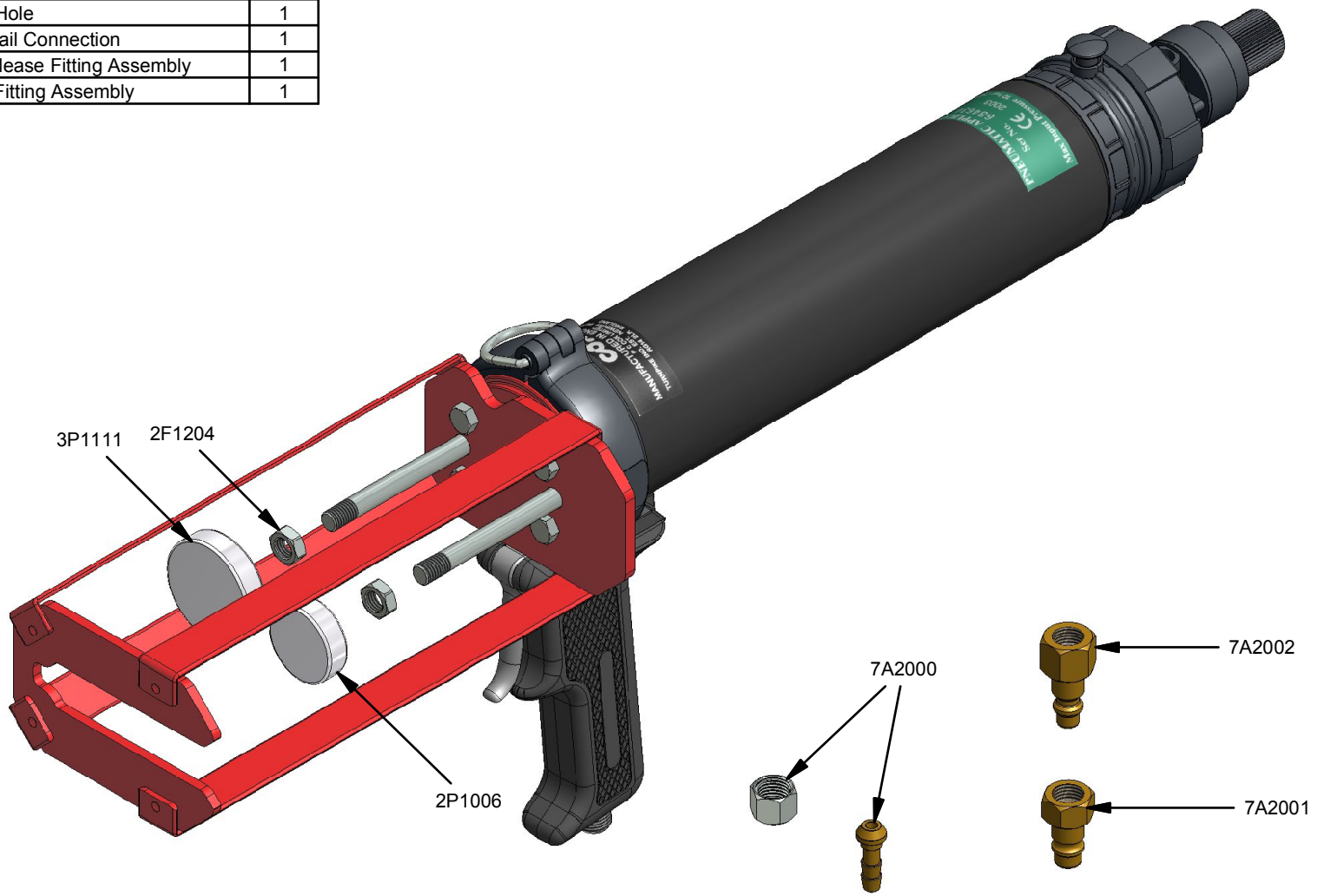


| Parts List |   |     |
|------------|---|-----|
| STOCK No   | DESCRIPTION                             | QTY |
| 2F1204     | M8 Lock Nut                             | 2   |
| 2P1006     | Plunger Ally 31.50mm                    | 1   |
| 3P1111     | Plunger With Blind Hole                 | 1   |
| 7A2000     | Standard Nut and Tail Connection        | 1   |
| 7A2001     | European Quick Release Fitting Assembly | 1   |
| 7A2002     | US Quick Release Fitting Assembly       | 1   |



VBA (MR-2) 400 B

**SULZER**

| REV | DATE     |
|-----|----------|
| A   | 17/01/17 |